

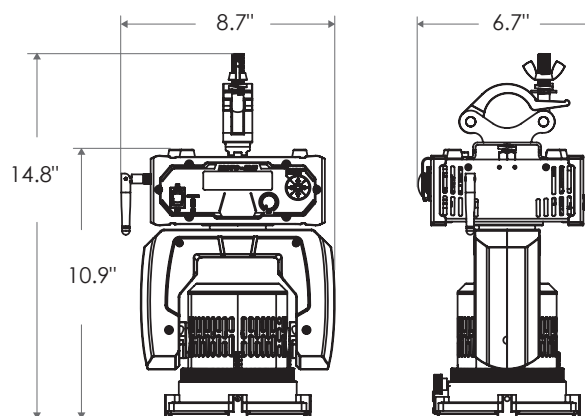
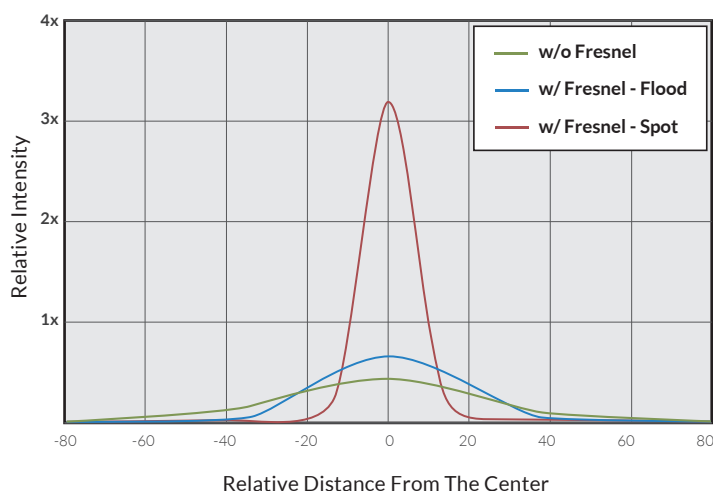
The **MOTO-Q3** adds motorized pan and tilt to the Fiilex Q3 COLOR-LR. With 190 degrees of tilt, and 540 degrees of panning, the MOTOQ3 allows for complete freedom for all adjustments. Built-in LumenRadio with CRMX protocol allows the MOTOQ3 to seamlessly integrate with other Fiilex fixtures - bringing a whole new dimension to Fiilex's line of full-color cinematic LED fresnels.



FEATURES

- High-CRI white light output (2000-10000K)
- 8 and 16-bit color modes: CCTRGBW, CCTHSI, CIExy, etc.
- IP-X5 Rating (water resistant)
- DMX control motor auto zero calibration.
- Tilt +/- 95° (190° total), Pan +/- 270° (540° total)
- Wireless control via integrated LumenRadio
- Hardline DMX via XLR-5 adapter
- Smooth and Sharp dimming modes
- DMX-controllable fan modes: Full, Auto, Silent, Off
- Optional truss clamp mounting and TOX track mounting

BEAM PROFILE



SPECIFICATIONS

Fresnel Diameter	5"
Beam Angle	15°-45° with fresnel (55° without fresnel)
CCT Range	2000-10000K continuous tuning + magenta/green shift
CRI / TLCI	95 / 90 typical
Control Modes	Motor+CCT, Motor + HSI, Motor + RGBW, Motor + CCTRGBW, and more
Dimming	100 - 0% flicker free
Dimming Modes / Curve	Smooth, Sharp / Linear, Gamma
Light Engine	DiCon Dense Matrix LED
Power Consumption	100W max AC
BTUs/hour	341 (BTUs/hour) max
AC Input	100 - 240V AC, 50 ~ 60Hz
DMX / RDM Port	XLR-5 in and out
Wireless Control	Integrated LumenRadio CRMX
USB Power Output	5V/1A power / FW Update
Weight	9.2 lbs / 4.2kg (without CLAMP)
Size (L x W x H)	6.7" x 8.7" x 10.9" / 17.0cm x 22.1cm x 27.7cm
Pan / Tilt	Pan +/- 270° (540° total), Tilt +/- 95° (190° total)
Mount	Truss Clamp / TOX track adapter
IP Rating	IP-X5 (water-resistant)
Thermal Design	Controllable fan (OFF / SILENT / AUTO / FULL)
Operating Temperature	32 - 104°F / 0 - 40°C

PHOTOMETRIC DATA

